

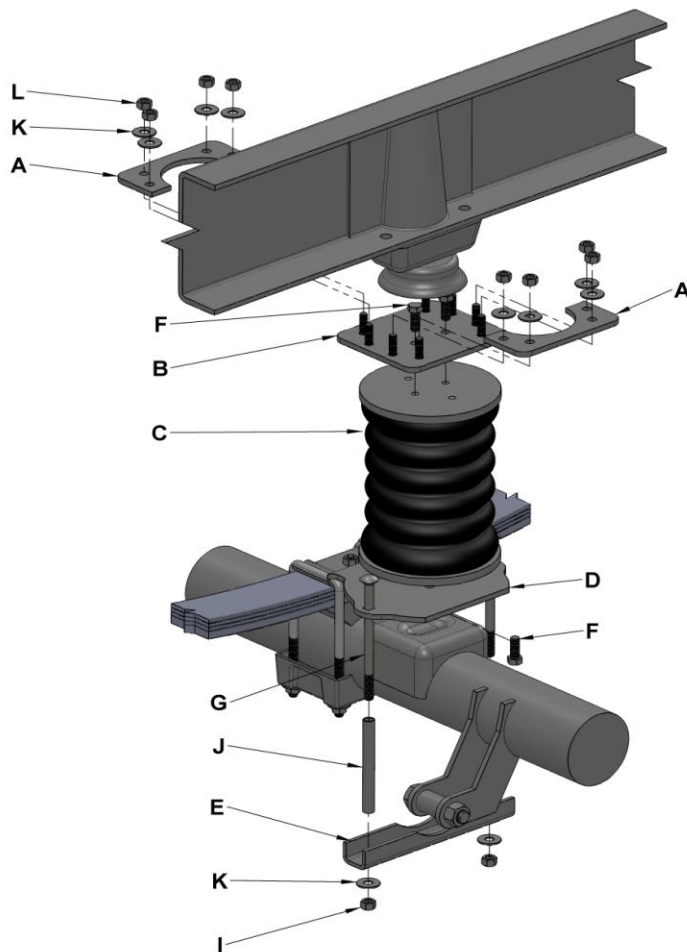
# SumoSprings Rear

Chevy 2500/3500 HD 2x4, 4x4 (2011)

Part #SSR-203

Installation Instructions

Driver's side (Passenger's side similar)



## Parts List

<u>Item</u>	<u>Part #</u>	<u>Description</u>	<u>Quant.</u>
A	512052	Top upper bracket	4
B	512053	Top lower bracket	2
C	511402	SumoSpring R-6070	2
D	512051	Bottom bracket	2
E	512054	Axle Clamp	2
F	512207	3/8-16x 3/4" serrated flange bolts	6
G	512258	3/8x 7.5" grade 8 Carriage Bolts	4
I	512234	3/8 Top-lock nut	4
J	512055	Carriage bolt pipe sleeve	4
K	512244	5/16 USS Flat washers	20
L	112241	5/16-18 Top-lock nuts	16

## Tool List

Floor Jack	1
Jack stands	2
Wheel blocks	4
9/16" wrench	2

## **Installation Instructions**

1. Park vehicle on level hard surface. Place wheel blocks in front and behind the front wheels to prevent rolling. Observe all safety precautions and wear safety glasses.
2. Raise the rear of the vehicle allowing the axle to hang free and rest the frame on the safety jack stands rated for the vehicle. Removal of the rear wheels is optional.
3. Remove the factory jounce bumpers from the underside of the frame and set aside for possible re-installation in the eventuality that the SumoSprings may be removed at a later date.
4. Starting on the drivers side assemble the Bottom bracket (Item D), Sumospring (Item C) and Top lower bracket (Item B) by attaching brackets to top and bottom of Sumospring using three 3/8-16 x 3/4" serrated flange bolts (Item F). The Top lower bracket will be orientated so it is off-set positioned closest to the tire prior to bolting.
5. Place the assembly in position and then with a "tilt and twist" action ensure that the ears on the Bottom bracket (Item D) achieve a snug fit between the factory u-bolts and the factory spring-pack. Raise the assembly by sliding the Bottom bracket (Item D) up the factory u-bolts positioning the Top lower bracket (Item B) firmly against the bump-stop receptacle.
6. Attach the two Top upper brackets (Item A) to the Top lower bracket (Item B) ensuring a firm grip onto the factory bump-stop receptacle using eight 3/8" USS flat washers (Item H) and eight 3/8-16 Top-lock nuts (Item I).
7. Lower the vehicle until the Bottom bracket (Item D) is sitting on the factory bump-stop pad and the ears of the Bottom bracket are still locked between the factory u-bolts and factory spring-pack.
8. Drop two 3/8" by 7.5" carriage bolts (Item G) through the Bottom bracket. Thread two pipe sleeves (Item J) onto the carriage bolts and attach the Axle clamp (Item E) to the carriage bolts using two 5/16" USS washers (Item K) and two 3/8-16 Top-lock nuts (Item I).
9. Repeat steps three through eight on the passenger's side of the vehicle.
10. If rear wheels were removed you can now reinstall the rear wheels.
11. Jack up vehicle, remove safety jack stands and lower the vehicle to the hard surface. Remove front wheel blocks.
12. Fill out warranty card and send to SuperSprings. The warranty card is an attached document.

### **Important Notice.**

- 1) For easy installation please read instructions completely first and have all necessary tools available.
- 2) We recommend that this installation be done by a professional or persons with sound mechanical knowledge.
- 3) SumoSprings are designed to work with the original factory springs only. If they have been replaced with aftermarket springs then please consult with SuperSprings International at 866-898-0720.
- 4) These instructions are meant as a guide for the installation of SumoSprings. SuperSprings International assumes no liability for the actual installation process. Installers should apply common automotive safety practices when raising, lowering and working on vehicles.
- 5) SumoSprings are designed to enhance the vehicles load carrying performance and road handling however it does not authorize or recommend loading beyond the manufacturer's GVWR specifications.
- 6) For technical support contact SuperSprings International at 866-898-0720.

***To prevent damage to the vehicle and to ensure safety, do not exceed the maximum load recommended by the vehicles manufacturer (GVWR).***



## LIMITED WARRANTY

Your SuperSprings™ product is covered by the **Limited Warranty** explained below that gives you specific legal rights. This Limited Warranty is the only warranty made in connection with your suspension stabilizer, SumoSprings. SuperSprings™ neither assumes nor authorizes any vendor, retailer or other person or entity to assume for it any other obligation or liability in connection with this product or Limited Warranty.

### **What is Covered?**

Subject to the terms, exclusions and limitations herein, SuperSprings International, Inc. Warrants to the initial retail or fleet purchaser only that its SumoSprings suspension stabilizer shall be free of defects in material and workmanship for:

**Two (2) years**

This Limited Warranty extends only to the initial retail or fleet purchaser with respect to use upon the vehicle the SuperSprings™ product is first installed. The term of Limited Warranty shall be measured from the date of purchase. SuperSprings™ reserves the rights to: (a.) require claimant's proof of purchase as a condition of this Limited Warranty, (b.) make future revisions to its Limited Warranty without prior notice.

**ALL OTHER EXPRESS OR IMPLIED WARRANTIES INCLUDING MERCHANTABILITY OR FITNESS FOR A PARTICULAR PURPOSE ARE HEREBY DISCLAIMED.**

### **What is Not Covered?**

Your **Limited Warranty** does not cover any damage arising or related to any vehicle, product, or component combination other than the SumoSprings suspension stabilizer. Your SuperSprings™ Limited Warranty further does not cover vehicles, products or components supplied by us or others that SuperSprings International, Inc determines to have been damaged by or subjected to:

- Vehicle use in excess of GVWR combined vehicle weights/ tow ratings or other OEM design specifications or limitations.
- Normal wear and tear, deterioration of spring shape or rating, alteration or failure to maintain.  
Scratches or defects in product finishes (powder coating, paint, etc.) or damage due to shipping.
- Misuse, including products used other than as recommended in the current SumoSprings application guide or the instructions.
- Racing or other vehicle competitions or contests. Accidents, impact by rocks, trees, obstacles or other aspects of the environment.

### **Remedy Limited to Repair / Replacement.**

The exclusive remedy provided hereunder shall, upon SuperSprings International's inspection and option, be either repair or replacement of product or parts covered under this **Limited Warranty**. Customers requesting warranty consideration should first contact the independent distributor from whom you purchased your SumoSprings to obtain a Returned Goods Authorization number. All removal, shipping and installation costs are customer's responsibility. If a replacement part is needed before yours can be returned, you must first purchase the replacement part. Then, if SuperSprings™ deems your part warrantable, you will be credited the purchase price. Your warrantor is SuperSprings International, Inc. *If you are unable to submit a warranty claim through your distributor contact SuperSprings™ customer service at 800-898-0705 or the address indicated below.*

### **Other Limitations - Exclusion of Damages - Your Rights under State Law**

In consideration of the purchase price paid, neither SuperSprings International, Inc. or any independent SuperSprings™ distributor are responsible for any installation or removal costs, time loss, rental costs, or for any incidental, consequential, punitive or other damages you or third parties may incur in connection with any product purchased. Your exclusive remedy hereunder for covered parts is repair/replacement as described above.

*This **Limited Warranty** gives you specific rights. You may also have other rights that vary from state to state. For example, while all implied warranties are disclaimed herein, any implied warranty required by law is limited to the terms of Limited Warranty described above. Some states do not allow limitations of how long an implied warranty lasts and /or do not allow the exclusion or limitation of incidental or consequential damages, so the limitations and exclusions herein may not apply to you.*

SuperSprings International Inc. 5055 6<sup>th</sup> Street, Carpinteria, CA 93013

Phone: 800-898-0705

Tech Support: 866-898-0720

Web: [www.supersprings.com](http://www.supersprings.com)

©SuperSprings Int., Inc. 2008. All Rights Reserved

# ***SuperSprings***<sup>®</sup>

## Warranty Card

To activate your SuperSprings product warranty please complete and return this form today with a copy of your receipt for the item(s) purchased. Completed forms may be faxed or mailed to the number or address listed below.

### Buyer Information

Name

Street Address

City

State

Zip

Phone

Fax

Email Address

Item Purchased

Purchase Date

### Seller Information

Company Name

Phone Number

Sales Invoice #

### Installation Information

Vehicle Make

Vehicle Model

Vehicle Year

Please note: Without a copy of your receipt this warranty information CANNOT be processed.

Please ensure you have attached a copy of your SuperSprings purchase receipt with this completed form

Please mail to SuperSprings address listed below.

Comments:

5055 6<sup>th</sup> Street, Carpinteria, CA 93013 Phone: 866-898-0720 Fax: 805-745-5501