

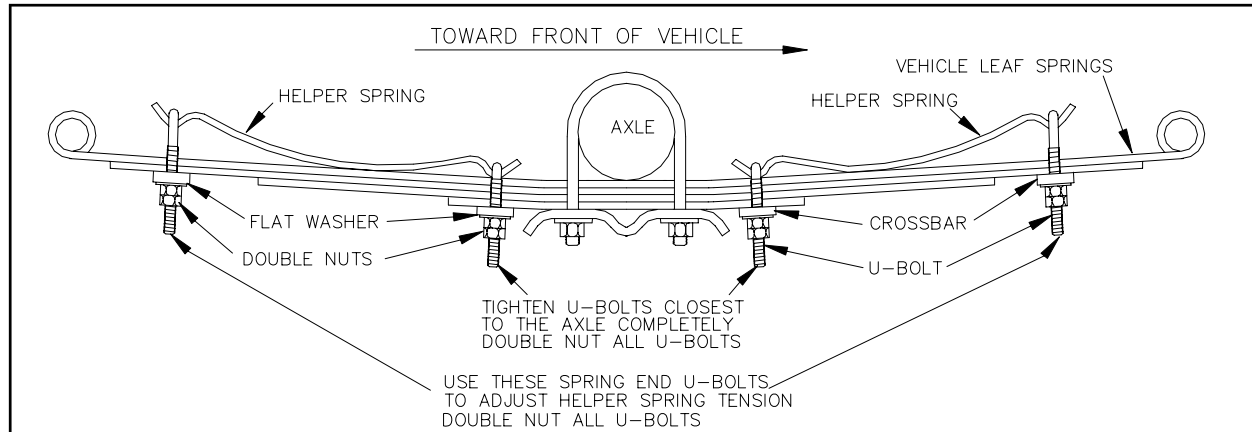
# Hellwig PRODUCTS.com

559-734-7451 800-367-5480 FAX 559-734-7460

## INSTALLATION INSTRUCTIONS

Thank you for purchasing a quality Hellwig Product.

PLEASE READ THIS INSTRUCTION SHEET COMPLETELY BEFORE STARTING YOUR INSTALLATION



### TORQUE TABLE

**BOLT SIZE:** 3/8" = 20-30 ft. lbs. - 7/16" = 35-45 ft. lbs. - 1/2" = 50-70 ft. lbs. - 9/16" = 70-90 ft. lbs.

**SAFETY: BEFORE STARTING YOUR INSTALLATION, BE SURE TO SET PARKING BRAKE AND CHOCK TIRES.**

**IMPORTANT NOTE: HELLWIG HELPER SPRINGS ARE DESIGNED TO INCREASE THE "LEVEL LOAD" CARRYING CAPACITY OF YOUR VEHICLE. NEVER LOAD THE VEHICLE THAT THIS UNIT IS BEING INSTALLED ON BEYOND THE MANUFACTURER'S MAXIMUM GROSS VEHICLE WEIGHT RATING.**

**NOTICE: DO NOT, ATTEMPT TO INSTALL THIS UNIT ON CHEVY/GMC ASTRO VANS OR ANY OTHER VEHICLE WITH PLASTIC COMPOSITE SPRINGS.**

**NOTE: THIS KIT CONSISTS OF TWO LONG AND TWO SHORT LEAF SPRINGS. THE SHORT LEAF WILL MOUNT TO THE FRONT OF THE AXLE AND THE LONG LEAF WILL MOUNT TO THE REAR OF THE AXLE ON THE VEHICLE SPRINGS.**

**NOTE: THE MINIMUM ALLOWABLE ADJUSTMENT WILL BE JUST TIGHT ENOUGH THAT THE U-BOLTS AND CROSSBARS WILL NOT MOVE OR RATTLE WHEN THE VEHICLE IS DRIVEN. THE MAXIMUM ALLOWABLE ADJUSTMENT WILL BE SO THAT THE CUPPED ENDS OF THE HELPER SPRING ARE (1/8) INCH ABOVE THE VEHICLES LEAF SPRINGS.**

**NOTE: IF YOUR VEHICLE IS EQUIPPED WITH A BRAKE FLUID PROPORTIONING VALVE ON THE REAR AXLE READ INSERT (R-362)**

1. Jack up the vehicle by the frame just until the rear tires are about to leave the ground. **Be sure to block the front tires and use safety stands.**
2. Lay the helper springs on top of the vehicle leaf springs, as close as possible to the axle without making contact.
3. Place the U-bolts into the cupped ends of the helper spring so that the U-bolt threads are pointing towards the ground and below the vehicle leaf springs.
4. Install the crossbar, washers and nuts on the U-bolts closest to the axle first. **Tighten these U-bolts completely and double nut.**
5. Install the crossbars, washers and nuts on the U-bolts at the ends of the helper springs.
6. Lower the vehicle to the ground and adjust for desired height and tension. To adjust for more load capacity draw the nuts tighter, loosen to relief capacity. Make certain that **double nuts** are used after each and every adjustment made. Minimum clearance between the bottom of the U-bolt saddle and the top of the vehicles spring should be no less than **1/8 inch**.
7. Bounce the vehicle and check for clearance on all undercarriage components wiring, brake and fuel lines.
8. After one week of driving recheck your installation readjust if necessary. Recheck your installation on a monthly regular basis thereafter.

**ATTENTION INSTALLER: BE SURE THAT THE CUSTOMER RECEIVES THIS INSTRUCTION SHEET, ALL IMPORTANT NOTE CARDS AND THE WARRANTY FORM**